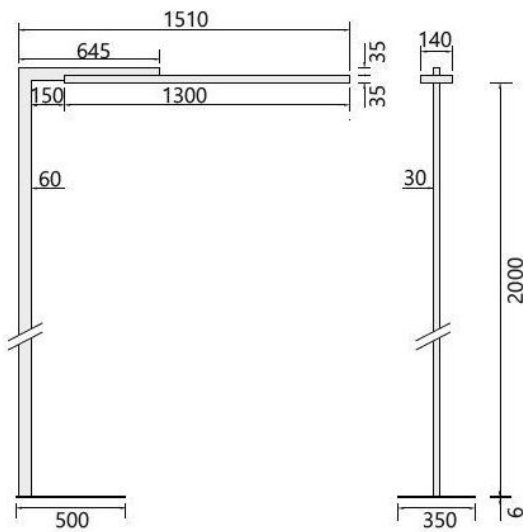


Byok

Grado L




Oberfläche

- matt aluminum
- matt black
- white matt

Dimmbarkeit

- DALI dimmable
- Daylight and motion sensor with uplight sensor

Technical details

Country of Manufacture	 Germany
Manufacturer	Byok
Designer	Kai Byok
Protection class / IP rating	IP20
Contents of the package	LED
Projection in cm	151
material	aluminum
cable length	300 cm
Wattage	87 W
Colour Rendering Index	80
Color temperature in Kelvin	3,000 warm white
lamp stand dimensions	50 x 35 cm
Total luminous flux in lm	14,000
light distribution	directly and indirectly
Dimensions	H 204 cm

Description

The Byok Grado L is a floor lamp with a 151 cm long arm. The lamp can be fixed directly to the furniture or be positioned movably with one base. It is particularly suitable for a single workstation. The Grado L 2 and T 4 from the series are also available for up to two or four workstations. The Grado L emits light simultaneously upwards and downwards. It is available in three versions: DALI dimmable or with an integrated daylight and motion sensor with an additional sensor for uplight. The surfaces available are matt anodised aluminum, matt white and matt black. As standard, this floor lamp is supplied with a colour temperature of 3,000 Kelvin warm white, on request it is also offered with 4,000 Kelvin white.