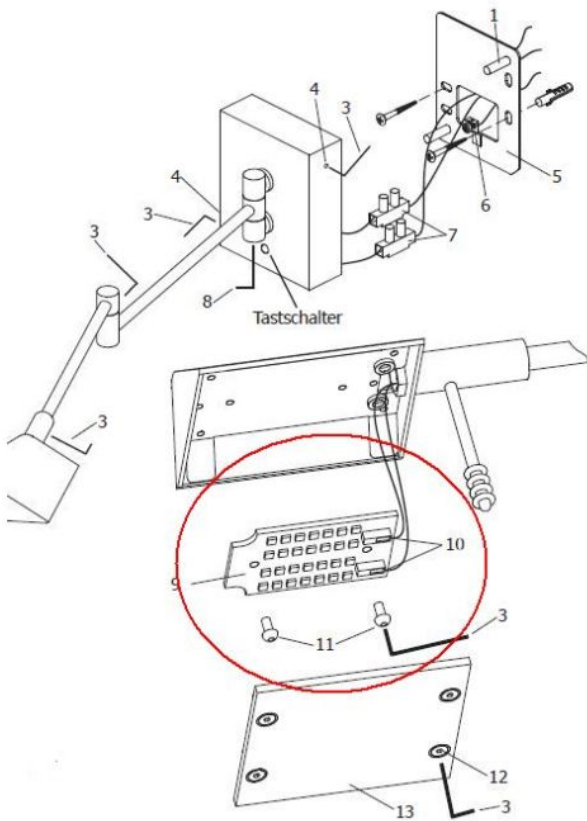



Holtkoetter

LED replacement board 9696/1



Technical details

Country of Manufacture	 Germany
Manufacturer	Holtkoetter
Wattage	6 W
Colour Rendering Index	>90
Luminous flux in lm	680
Color temperature in Kelvin	2,700 extra warm white
Protection class / IP rating	IP20

Description

This original spare part is an LED replacement board suitable for the wall lamp 9696/1 from the manufacturer Holtkötter.