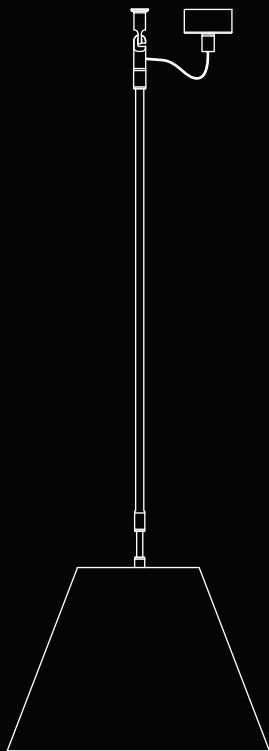


COSTANZA

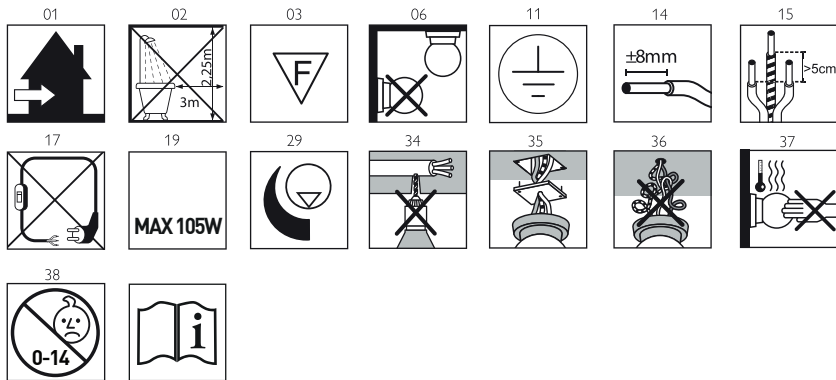
design Paolo Rizzatto



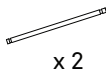
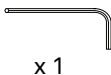
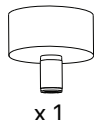
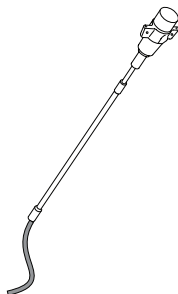
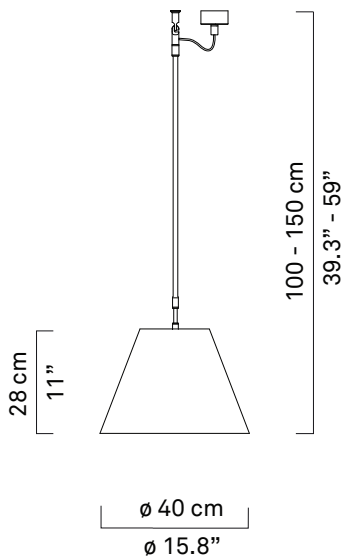
**LUCE
PLAN**

D13





D13 s



kg 0,5 kg

lb 1.1 lb



max 105W
HSGSA
E27
Energy saver

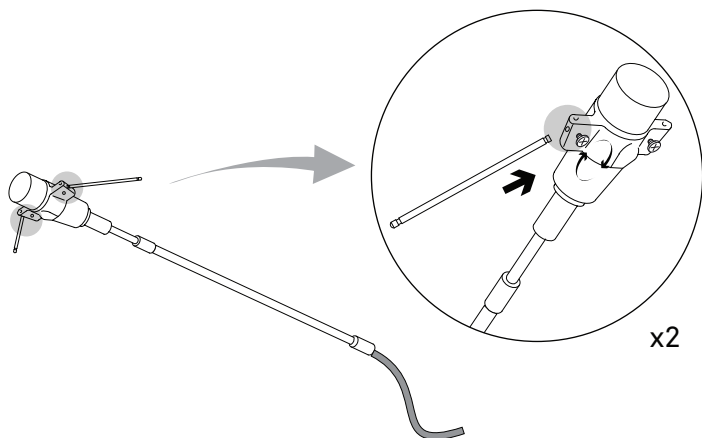


max 20W
FB
E27
fluorescent

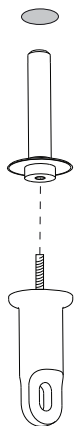


max 16W
SB LED LAMP
E27

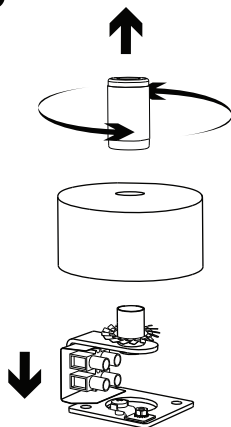
1



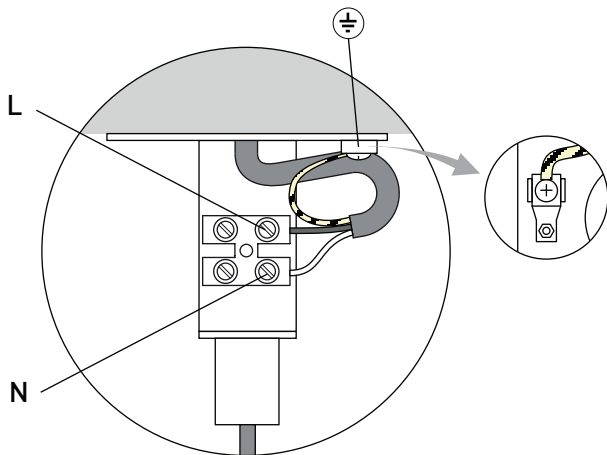
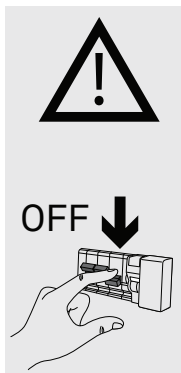
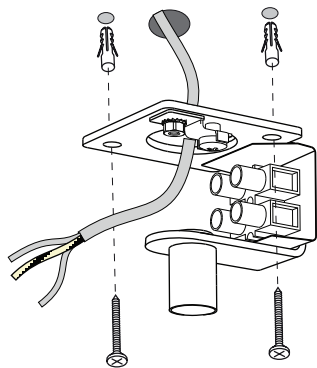
1.2



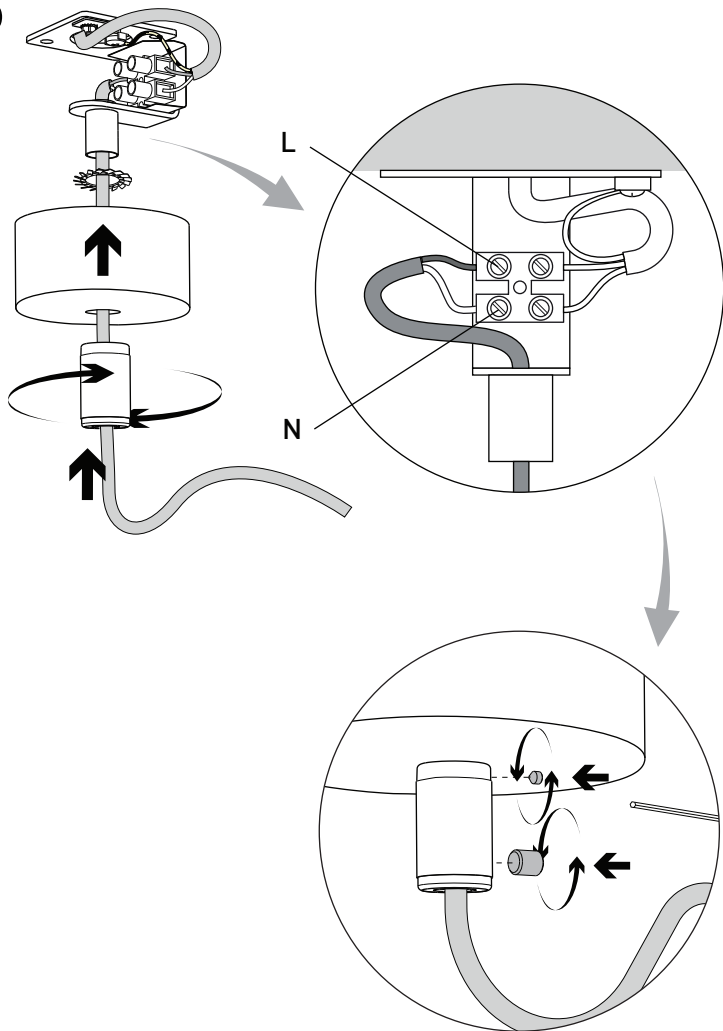
1.3



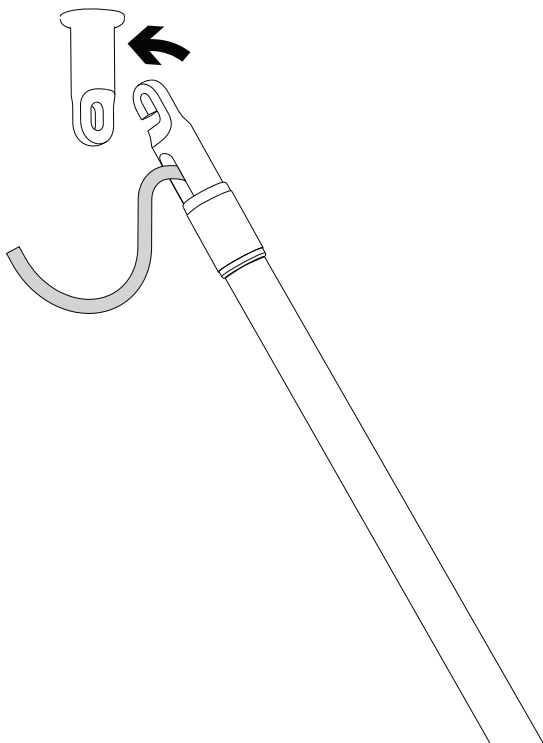
1.4



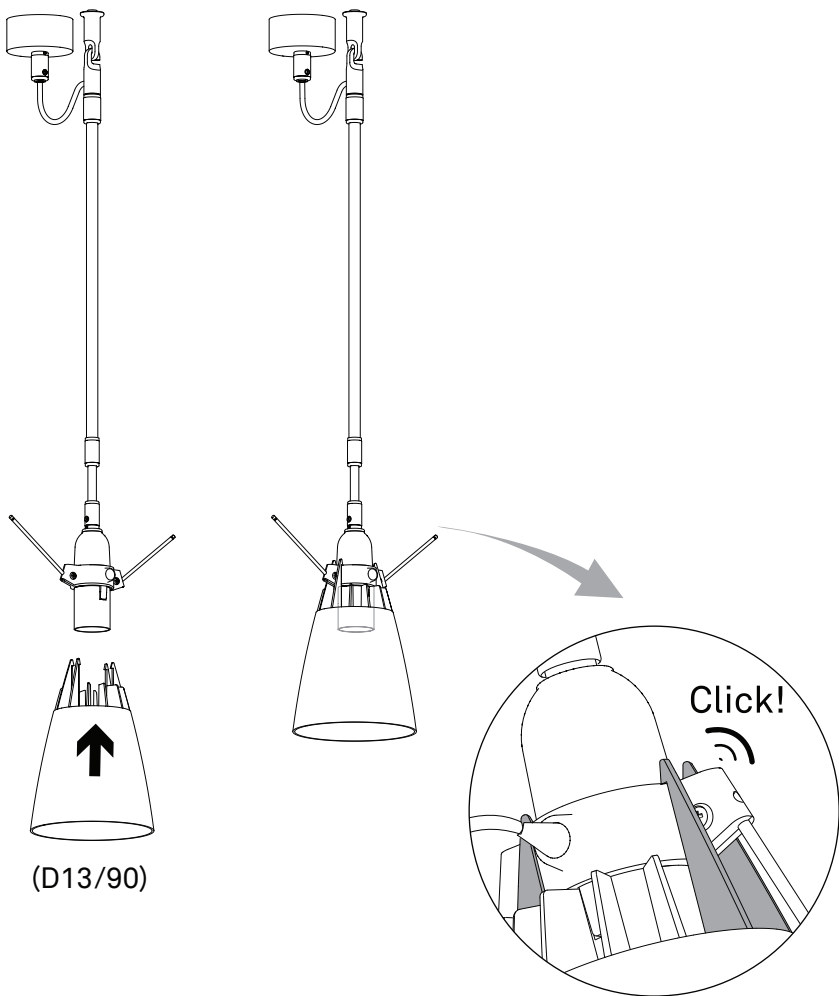
1.5



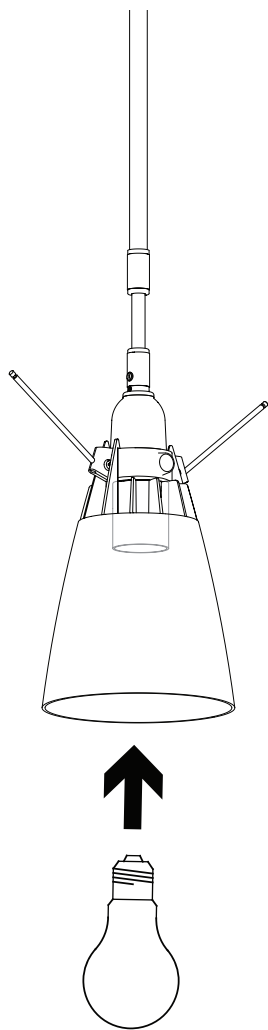
1.6



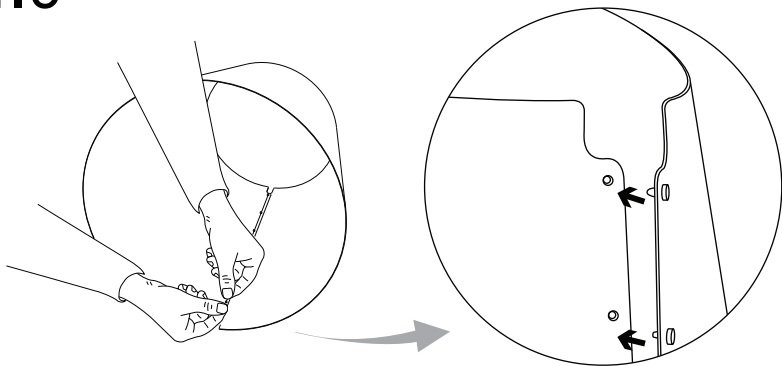
1.7



1.8

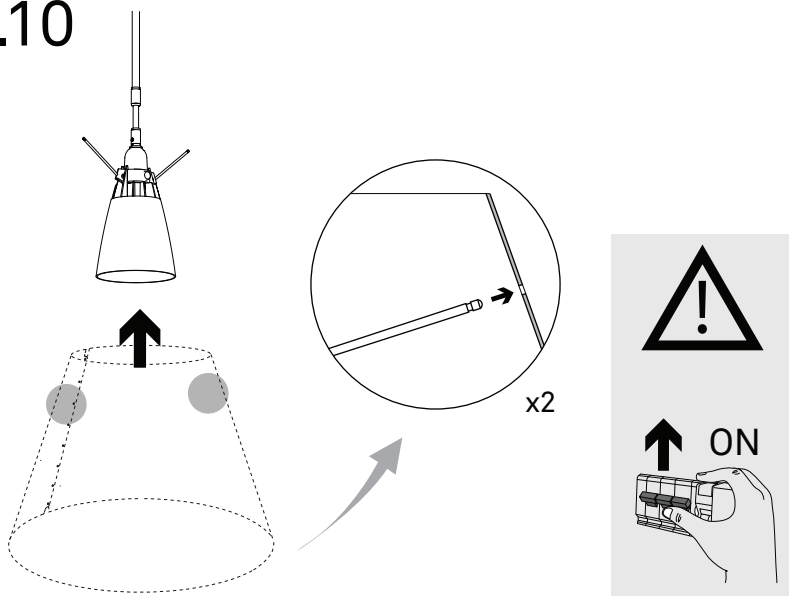


1.9

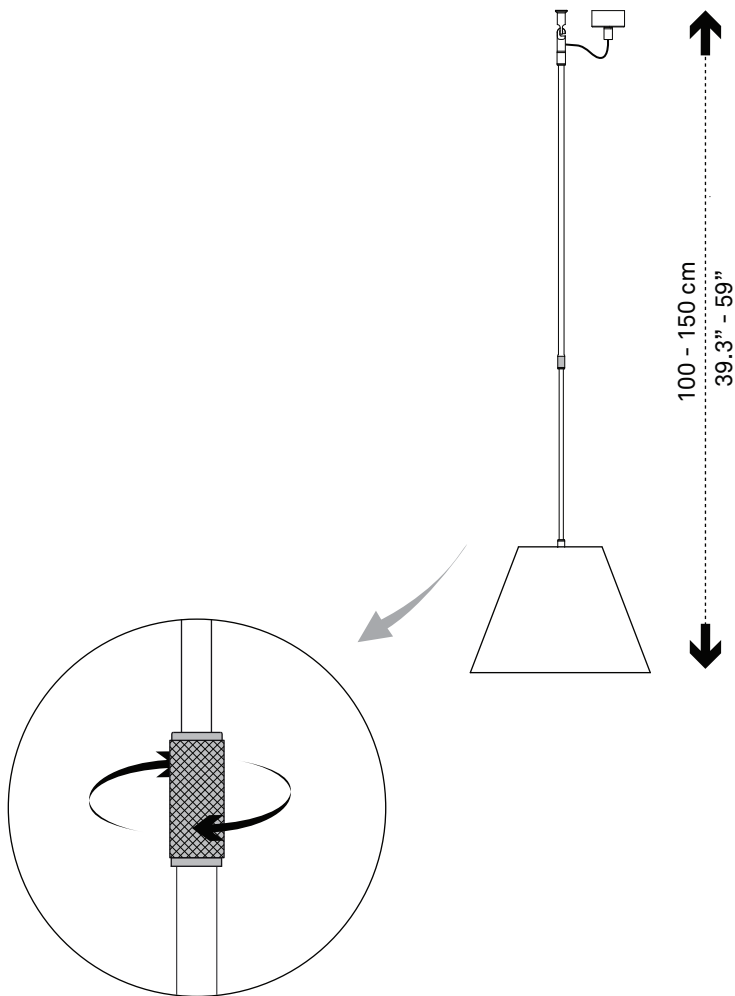


(D13/1/4)

1.10



1.11





www.luceplan.com

D130IA228